

Switch-mode Step-up 4-cell Li-ion Battery Charger IC CN3324

General Descriptions:

CN3324 is a PFM mode step-up 4-cell Li-ion battery charging controller IC with minimum operating voltage down to 4.5V. CN3324 adopts trickle, constant current (CC) and quasi-constant voltage(Quasi-CV™) mode to charge battery. On power up, CN3324 enters charging mode, the external N-channel MOSFET is turned on first, inductor current rises. When inductor current reaches upper limit, the N-channel MOSFET is turned off, the energy stored in inductor is transferred to battery. When the inductor current is discharged to its lower limit, the N-channel MOSFET is turned on again, and so forth. When BAT pin voltage reaches 16.8V(Typ.) for the first time, CN3324 enters quasi-CV mode, in which the charge current is reduced. The charge process will not be terminated until BAT voltage reaches 16.8V for the second time. In termination mode, the N-channel MOSFET is turned off. If BAT pin voltage falls below recharge threshold, CN3324 enters charge mode again. CN3324's switching frequency can be up to 1MHz, which makes a small-profile inductor usable. The other features include self-adaptive function to input supply, JEITA-compliant battery temperature monitoring, chip over temperature protection and status indication, etc. CN3324 is available in thermally-enhanced 8-pin SOP package.

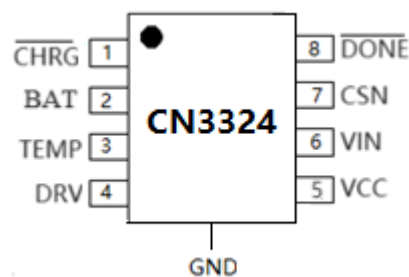
Applications:

- Standalone 4-cell Battery Charger
- Electrical Appliance
- Audio Systems
- POS, etc.

Features:

- Minimum Operating Voltage: 4.5V
- Fixed Charge Termination Voltage: 16.8V
- Self-adaptive to Input Supply
- Operating Current: 380uA@VIN=5V
- Inductor Current Sensing
- Switching Frequency: up to 1MHz
- Quasi-CV Mode to Compensate for Voltage Loss on Parasitic Resistance
- Trickle, Constant Current and Quasi-CV Charge Mode
- Automatic Recharge
- JEITA-Compliant Battery Temperature Monitoring
- Battery Over-voltage Protection
- Over Junction-temperature Protection
- 2 Open-drain Indication Outputs
- Operating Temperature Range: -40°C to 85°C
- Available in eSOP8 Package
- Lead-free, rohs-Compliant and Halogen Free

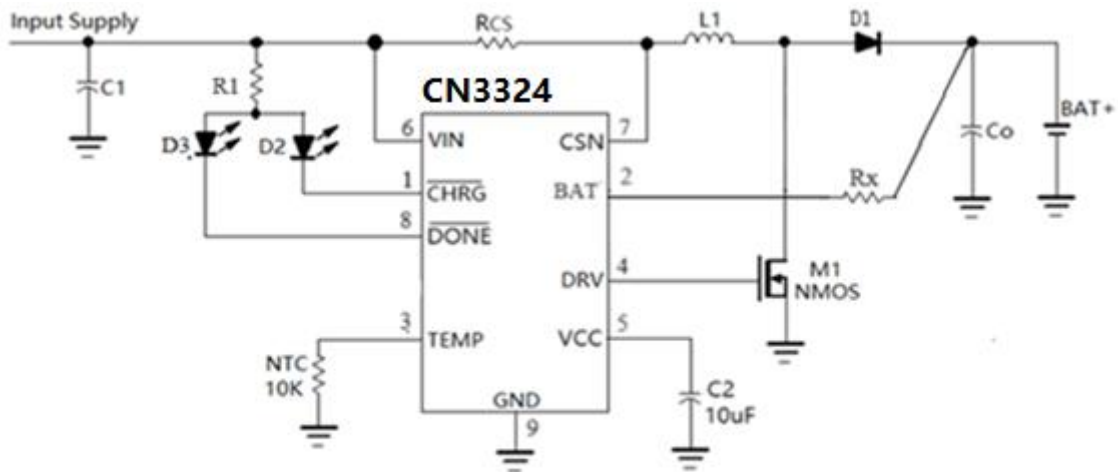
Pin Assignment:



Note: Quasi-CV is the trade mark of
Consonance Electronics

CONSONANCE

Typical Application Circuit



Note: Resistor Rx is optional

Figure 1 Typical Application Circuit

Ordering Information:

Part No.	Package	Top Marking	Shipping	Operating Temp
CN3324	eSOP-8	CN3324	Tape & Reel, 4000/Reel	-40°C to 85°C

Block Diagram

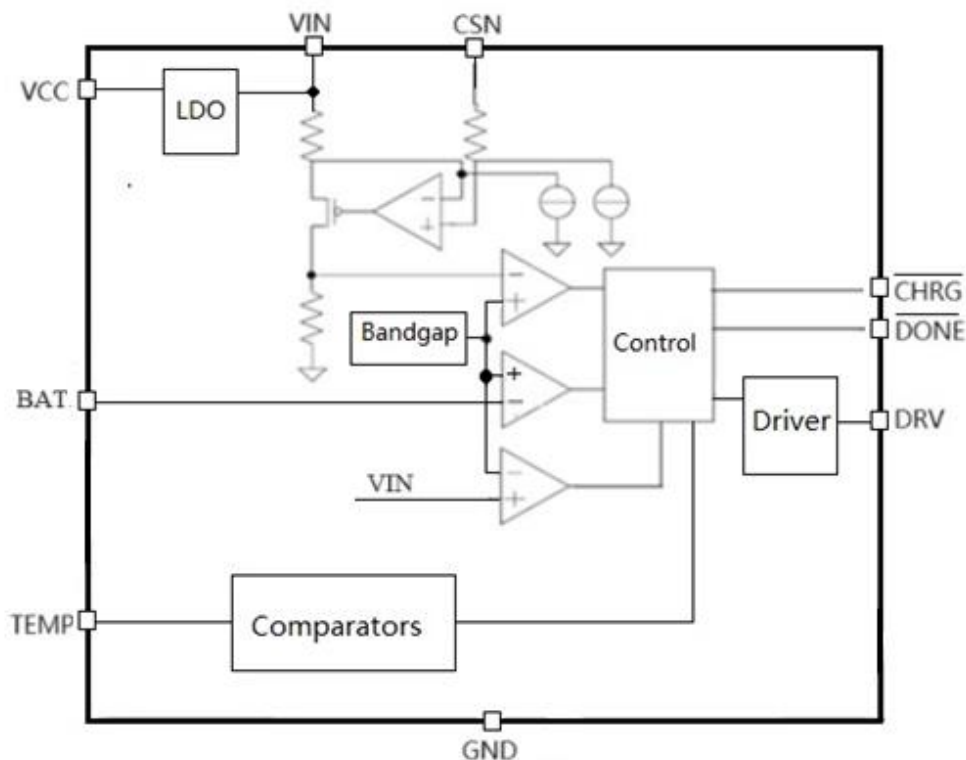


Figure 2 Block Diagram

CONSONANCE

Pin Description:

No.	Name	Description
1	$\overline{\text{CHRG}}$	Open Drain Charge Status Output. When the battery is being charged, the $\overline{\text{CHRG}}$ pin is pulled low by an internal switch, otherwise $\overline{\text{CHRG}}$ pin is in high impedance state.
2	BAT	Connection Pin for Positive Terminal of Battery. BAT pin can be connected to positive terminal of battery directly or via a resistor as shown in Figure 1. If BAT pin is directly connected to positive terminal of battery, charge termination voltage is 16.8V typical; If BAT pin is connected to positive terminal of battery via a resistor, charge termination voltage will be: $V_{\text{term}} = 16.8 + 10.5 \times 10^{-6} \times R_x \quad (\text{V})$
3	TEMP	Battery Temperature Monitoring Input. Connecting a 10K Ω NTC thermistor between TEMP pin and GND. <ul style="list-style-type: none"> ● If TEMP pin's voltage is below 0.1V or above 0.85V, which means battery is too hot or too cold, charging is suspended. ● If TEMP's voltage is between 0.1V and 0.135V, which means battery is warm, charge current is reduced to 50% of full-scale current and termination voltage is reduced to 97.91%*V_{term} ● If TEMP's voltage is between 0.135V and 0.55V, CN3324 functions normally. ● If TEMP's voltage is between 0.55V and 0.85V, which means battery is cool, charge current is reduced to 33% of constant current. If battery temperature monitoring function is not needed, connect a fixed 10K ohm resistor from TEMP pin to GND.
4	DRV	Gate Drive Output. Connect this pin to the gate of external N-channel MOSFET.
5	VCC	5V Voltage Regulator (LDO) Output. Connect a 10uF capacitor from VCC to GND, the maximum output current is 15mA. The 5V voltage can be used to power the external circuitry. If input supply is less than 5.35V, VCC may not be regulated at 5V, VCC voltage may be a bit less than input supply.
6	VIN	The Positive Terminal of Input Supply. In addition to power the internal circuits, VIN pin also serves as the positive terminal of current sense.
7	CSN	Negative Terminal of Inductor Current Sensing. A current sense resistor R_{cs} between VIN pin and CSN pin is used to sense inductor current, also the input current.
8	$\overline{\text{DONE}}$	Open Drain Termination Output. When charging is terminated, the $\overline{\text{DONE}}$ pin is pulled low by an internal switch, otherwise $\overline{\text{DONE}}$ pin is in high impedance state.
9	Exposed PAD	Ground(GND). The ground of CN3324, and need to connected to negative terminal of input supply and battery.

CONSONANCE

ABSOLUTE MAXIMUM RATINGS

VIN and BAT Voltage.....	-0.3V to 36V	Maximum Junction Temperature.....	150°C
DRV Voltage.....	-0.3V to VCC	Operating Temperature Range.....	-40°C to 85°C
VIN-V _{CSN} Voltage.....	-0.3V to 0.3V	Storage Temperature.....	-65°C to 150°C
TEMP, VCC Voltage.....	-0.3V to 6.5V	Lead Temperature(Soldering,10s).....	260°C
CHRG, DONE Voltage.....	-0.3V to VIN		

Stresses beyond those listed under “Absolute Maximum Ratings” may cause permanent damage to the device. These are stress ratings only, and functional operation of the device at these or any other conditions beyond those indicated in the operational sections of the specifications is not implied. Exposure to absolute maximum rating conditions for extended periods may affect device reliability.

ELECTRICAL CHARACTERISTICS:

(VIN = 5V, TA = -40°C to +85°C, Typical values are at TA = +25°C, unless otherwise noted)

Parameter	Symbol	Test Conditions	Min	Typ	Max	Unit
Operating Voltage	VIN		4.5	5		V
Operating Current	IVIN	VIN=V _{CSN}	300	380	500	uA
Switching Frequency	f _{SW}		200		1000	KHz
BAT Pin Bias Current	IBAT	V _{BAT} =16V	6.5	10.5	14.5	uA
Inductor Current (Input Current) Sensing						
Upper Limit of Inductor Current Measure (VIN-V _{CSN})	V _{CSHI}	CC mode	90	100	110	mV
		CC mode, Battery warm	43	50	57	
		Trickle, Quasi-CV, Battery cold	28	33	38	
Lower Limit of Inductor Current Measure (VIN-V _{CSN})	V _{CSLO}	CC mode	67	75	83	mV
		CC mode, Battery warm	30	37	44	
		Trickle, Quasi-CV, Battery cold	20	25	30	
Propagation Delay For DRV Assertion	t _{DPDH}	(VIN-V _{CSN}): 0.13V到0.065V		95		ns
Propagation Delay for DRV De-assertion	t _{DPDL}	(VIN-V _{CSN}): 0.07V到0.13V		91		ns
VCC Pin						
Output Voltage	VCC	I _{VCC} =0.1mA to 15mA, VIN=5.5V to 30V	4.7		5.3	V
Load Regulation		I _{VCC} =0.1mA to 10mA,		5		Ohm
Line Regulation		VIN=6V to 32V, I _{VCC} =3mA		6		mV
Power Supply Rejection Ratio	PSRR	I _{VCC} =3mA, f _{IN} =10kHz		-35		dB
Start Time	t _{START}	VCC=0 to 4.5V		1		ms
Charge Termination (BAT Pin)						
Charge Termination Threshold	V _{term}	BAT voltage rises	16.632	16.8	16.968	V
		BAT voltage rises, Battery warm	16.28	16.45	16.62	

CONSONANCE

(Continued from Last Page)

Parameter	Symbol	Test Conditions	Min	Typ	Max	Unit
Recharge (BAT Pin)						
Recharge Threshold	V_{rech}	BAT voltage falls	15.78	16.1	16.42	V
		BAT voltage falls, Battery warm	15.1	15.4	15.7	
Trickle Charge (BAT Pin)						
Trickle to CC Threshold	$V_{trickleH}$	BAT rises, $V_{IN} \leq V_{BAT} + V_D$	9.44	9.8	10.16	V
CC to Trickle Threshold	$V_{trickleL}$	BAT falls, $V_{IN} \leq V_{BAT} + V_D$	9.1	9.52	9.94	
Battery Over-voltage Protection (BAT Pin)						
Over-voltage Protection Threshold	V_{OVP}	BAT voltage rises	17.566	17.916	18.264	V
Over-voltage Protection Release Threshold	V_{OVRLS}	BAT voltage falls	16.94	17.218	17.498	
Over Junction-Temperature Protection (OTP)						
OTP Threshold	T_{OTP}	Junction temperature rises		145		°C
OTP Release Threshold	T_{RLS}	Junction temperature falls		128		°C
DRV Pin						
DRV Source Current	I_{SRC}	$V_{CSN} = V_{IN}$, $V_{DRV} = 0.5 \times V_{CC}$		0.65		A
DRV Sink Current	I_{SINK}	$V_{CSN} = V_{IN} - 0.2V$, $V_{DRV} = 0.5 \times V_{CC}$		0.65		
DRV Output High	V_{OH}	$I_{DRV} = 5mA$	$V_{CC} - 0.3$			V
DRV Output Low	V_{OL}	$I_{DRV} = -5mA$			0.3	V
CHRG Pin						
\overline{CHRG} Sink Current	I_{CHRG}	$V_{CHRG} = 1V$, Charge mode	7	12	18	mA
\overline{CHRG} Leakage Current	I_{LK1}	$V_{CHRG} = 30V$, Termination mode			1	uA
DONE Pin						
\overline{DONE} Sink Current	I_{DONE}	$V_{DONE} = 1V$, Termination mode	7	12	18	mA
\overline{DONE} Leakage Current	I_{LK2}	$V_{DONE} = 30V$, Charge mode			1	uA
TEMP Pin						
TEMP Pin Current	I_{TEMP}		27	30	33	uA
Cold Threshold	V_{COLD}	V_{TEMP} rises, cool to cold	800	850	900	mV
Cold Release Threshold	V_{COLDR}	V_{TEMP} falls, cold to cool	755	805	855	
Cool Threshold	V_{COOL}	V_{TEMP} rises, normal to cool	510	550	590	
Cool Release Threshold	V_{COOLR}	V_{TEMP} falls, cool to normal	465	505	545	
Warm Threshold	V_{WARM}	V_{TEMP} falls, normal to warm	120	135	150	
Warm Release Threshold	V_{WARMR}	V_{TEMP} rises, warm to normal	138	155	172	
Hot Threshold	V_{HOT}	V_{TEMP} falls, warm to hot	85	100	115	
Hot Release Threshold	V_{HOTR}	V_{TEMP} rises, hot to warm	105	120	135	

Note: V_D is the forward voltage drop of diode D1 in Figure1.

CONSONANCE

Detailed Descriptions:

CN3324 is a PFM mode step-up 4-cell Li-ion battery charge controller IC with minimum operating voltage down to 4.5V. CN3324 consists of circuit blocks such as voltage reference, inductor current sensing, over voltage protection, over junction-temperature protection, circuit for self-adaptive to input supply, control and gate driver, etc., and adopts trickle, constant current (CC) and quasi-constant voltage (Quasi-CV™) modes to charge battery with fewer external components.

On power up, CN3324 enters charging mode, the external N-channel MOSFET is turned on first, inductor current rises. When inductor current reaches upper limit, the N-channel MOSFET is turned off, inductor is discharged, the energy stored in inductor is transferred to battery. When the inductor current is discharged to its lower limit, the N-channel MOSFET is turned on again, and so forth.

In charging mode, if the voltage at BAT pin is below 9.8V(Typical), CN3324 is in trickle charge mode, in which the charge current is 33% of that in constant current mode; If BAT voltage is between 9.8V and 16.8V, CN3324 is in constant current mode. When BAT voltage reaches 16.8V(Typ.) for the first time, CN3324 enters quasi-CV mode, in which the charge current is reduced. The charge process will not be terminated until BAT voltage reaches 16.8V for the second time.

In termination mode, the N-channel MOSFET is turned off, no current flows to battery. If BAT voltage falls below recharge threshold (16.1V typical), the CN3324 enters charge mode again.

CN3324's switching frequency can be up to 1MHz, which makes a small-profile inductor usable.

The CN3324 has 2 open-drain status outputs: $\overline{\text{CHRG}}$ and $\overline{\text{DONE}}$. $\overline{\text{CHRG}}$ pin is pulled low when the charger is in charging mode, otherwise $\overline{\text{CHRG}}$ becomes high impedance. $\overline{\text{DONE}}$ pin is pulled low if the charger is in termination mode, otherwise $\overline{\text{DONE}}$ becomes high impedance.

The other features include JEITA-compliant battery temperature monitoring, chip over temperature protection and battery over voltage protection, etc.

Charging profile is shown in Figure 3.

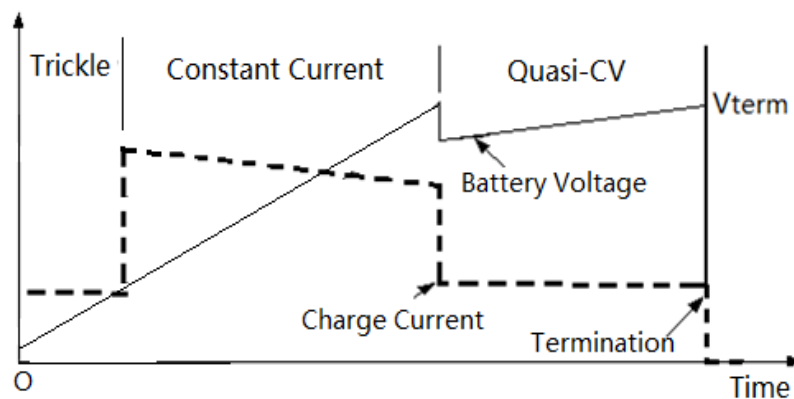


Figure 3 Charging Profile

CONSONANCE

Application Information:

Minimum Operating Voltage

The CN3324 functions well when the input voltage is down to 4.5V. If input voltage is below 4.5V, DRV pin outputs low. On-chip UVLO circuit will shut down the CN3324 if input voltage falls below UVLO threshold (4.3V Max.).

+5V Voltage Regulator (VCC Pin)

VCC is the output of an on-chip 5V voltage regulator (LDO) capable of sourcing 15mA, which can be used to power external circuitry. Always bypass VCC to GND with a 10 μ F ceramic capacitor.

If input supply is less than 5.35V, VCC may not be regulated at 5V, the voltage at VCC pin is a bit less than input supply.

The 5V voltage regulator will be shut down in junction over temperature protection mode.

About Quasi-CV Mode

If the voltage at BAT pin is lower than 16.8V (Typical), CN3324 charges the battery in constant current mode. When BAT voltage reaches 16.8V for the first time, CN3324 enters quasi-CV mode, the charge current is reduced to 33% of that in constant current mode. When BAT voltage reaches 16.8V in quasi-CV mode, CN3324 terminates the charging after deglitching. The quasi-CV mode can compensate for the voltage drop across the battery internal resistance to some extent, which is similar to constant voltage mode, this is why the quasi-CV is named.

Trickle Charge and Constant Current Charge Mode

On the condition that input voltage is less than battery voltage plus forward voltage of diode D1 in Figure 1:

If the voltage at BAT pin rises above 9.8V, CN3324 enters constant current mode; If the voltage at BAT pin falls below 9.52V, CN3324 enters trickle charge mode, in which the charge current is 33% of the current in constant current mode.

If the BAT voltage is between 9.8V and 16.8V, CN3324 is in constant current mode.

Charge Termination

In quasi-CV charge mode, if the voltage at BAT pin reaches charge termination threshold V_{term} (16.8V typical), charging is terminated, CN3324 is in termination mode, the external N-channel MOSFET is turned off, no current flows to battery.

If battery temperature is in warm range, the charge termination threshold V_{term} is 16.45V(Typical).

Recharge

In charge termination mode, if the voltage at BAT pin falls below recharge threshold V_{rech} (16.1V typical), CN3324 enters charge mode again.

If battery temperature is in warm range, the recharge threshold V_{rech} is 15.4V (Typical)

Self-adaptive Function to Input Supply

CN3324 can automatically adjust inductor current to adapt to input supply with different driving capability. If the driving capability of input supply is less than the inductor current requirement set by current sense resistor (R_{CS} in Figure 1), CN3324 regulates the voltage at VIN pin at 4.5V by reducing inductor current.

Inductor Current (Input Current)

In the application circuit shown in Figure 1, CN3324 sets the inductor current through a current sense resistor R_{CS} connected between VIN and CSN pin.

When the external N-channel MOSFET is turned on, inductor current rises, when inductor current rises above the upper limit decided by the following 3 equations (The propagation delay is already considered):

$$I_{\text{Lhigh}} = 0.108V / R_{\text{CS}} \quad (\text{Constant current mode})$$

$$I_{\text{Lhigh}} = 0.58V / R_{\text{CS}} \quad (\text{Constant current mode, Battery warm})$$

$$I_{\text{Lhigh}} = 0.039V / R_{\text{CS}} \quad (\text{Trickle mode, Quasi-CV mode and Battery cool})$$

CONSONANCE

The external N-channel MOSFET is turned off, inductor current falls, the energy stored in inductor is transferred to battery and output capacitor. When inductor current falls below the lower limit decided by the following 3 equations (The propagation delay is already considered):

$$I_{Llow} = 0.07V / R_{CS} \quad (\text{Constant current mode})$$

$$I_{Llow} = 0.033V / R_{CS} \quad (\text{Constant current mode, Battery warm})$$

$$I_{Llow} = 0.02V / R_{CS} \quad (\text{Trickle mode, Quasi-CV mode and Battery cool})$$

The external N-channel MOSFET is turned on again, a new switching cycle is started.

So the average inductor current is:

$$I_L = 0.089V / R_{CS} \quad (\text{Constant current mode})$$

$$I_L = 0.046V / R_{CS} \quad (\text{Constant current mode, Battery warm})$$

$$I_L = 0.03V / R_{CS} \quad (\text{Trickle mode, Quasi-CV mode and Battery cool})$$

In the above equations, I_{Lhigh} is the upper limit of inductor current in Ampere
 I_{Llow} is the lower limit of inductor current in Ampere
 R_{CS} is the inductor current sense resistor in ohm

Calculate Switching Frequency and Inductor

In the application circuit shown in Figure 1, the on-time of external N-channel MOSFET is:

$$t_{on} = \frac{0.04 \times L}{V_{IN} \times R_{CS}} \quad \text{--- (1)}$$

The off-time of the N-channel MOSFET is:

$$t_{off} = \frac{0.04 \times L}{(V_{BAT} + V_D - V_{IN}) \times R_{CS}} \quad \text{--- (2)}$$

So the switching frequency is:

$$f_{sw} = \frac{1}{t_{on} + t_{off}} = \frac{1}{\frac{0.04 \times L}{V_{IN} \times R_{CS}} + \frac{0.04 \times L}{(V_{BAT} + V_D - V_{IN}) \times R_{CS}}}$$

CN3324 requires that the minimum switching frequency is no less than 200KHz. A frequency between 300KHz and 600KHz can achieve a good balance between efficiency and inductor size.

The switching frequency varies with input voltage and battery voltage, so when determining the switching frequency, the nominal battery voltage should be used.

The duty cycle of pulse at CN3324 DRV pin:

$$D = \frac{t_{on}}{t_{on} + t_{off}} = \frac{V_{BAT} + V_D - V_{IN}}{V_{BAT} + V_D}$$

In the above equations:

- L is the inductor value in Henry(H)
- V_{IN} is the input voltage in Volt
- V_{BAT} is battery voltage in Volt
- V_D is the forward voltage drop of diode in Volt
- R_{CS} is the total current sense resistance in ohm(Ω), $R_{CS} = R_{EXT} + R_{INT}$

CONSONANCE

Estimate Charge Current in Constant Current Mode

CN3324 controls charge current by monitoring inductor current, so the charge current in constant current mode may vary with the input voltage and battery voltage.

Normally the following equation can be used to estimate the charge current:

$$I_{CH} = \frac{V_{IN} \times I_L \times \eta}{V_{BAT}}$$

Where,

- I_{CH} is charge current in Ampere
- V_{IN} is input voltage in Volts
- I_L is the average inductor current in Ampere, and decided by $0.089 / R_{CS}$
- η is the conversion efficiency varying between 85% and 92%, generally 88% can be used.
- V_{BAT} is battery voltage in Volt

Battery Temperature Monitoring

To prevent the damage caused by the very high or very low temperature done to the battery, the CN3324 continuously monitor battery temperature by measuring the voltage at TEMP pin which is determined by TEMP pin's source current (30uA typical) and a 10K Ω negative temperature coefficient (NTC) thermistor connected between TEMP pin and GND as shown in Figure 1.

If battery temperature monitoring function is not needed, connect a fixed 10K Ω resistor from TEMP to GND.

The battery temperature monitoring function for CN3324 is designed to follow the JEITA standard; charge current or charge termination voltage is reduced based on battery temperature ranges.

There are totally five battery temperature ranges for CN3324:

- Hot: Above 55°C,
- Warm: 45°C to 55°C,
- Normal: 10°C to 45°C
- Cool: 0°C to 10°C,
- Cold: Below 0°C.

Normal operation occurs when battery temperature is between 10°C and 45°C, charge current and voltage will be the normal values.

When battery is in the Cool temperature range, which is between 0°C and 10°C, the charge current is 33% of full-scale charge current and charge termination voltage is not changed.

When the battery is in the Warm temperature range, which is between 45°C and 55°C, the charge current is reduced to 50% of full-scale charge current and charge termination voltage is reduced to 97.91% of nominal value.

Charging is suspended if battery temperature is below Cold temp of 0°C or above Hot temp of 55°C. When charging is suspended, both \overline{CHRG} and \overline{DONE} pin becomes high impedance state.

Once battery temperature is not in hot range and cold range, charging resumes automatically.

TEMP pin voltage is the product of its source current and NTC's resistance, so the selection of NTC should make sure TEMP pin voltage meet the requirements of hot, warm, cool and cold threshold. An NTC of nominal resistance 10K Ω at room temperature may be suitable for CN3324.

A resistor of small resistance in series with NTC thermistor and a resistor of large resistance in parallel with NTC thermistor can fine tune CN3324's temperature range.

The following table lists TEMP pin voltage, charge current and termination voltage in the above-mentioned 5 battery temperature range.

CONSONANCE

Battery Temperature Range	TEMP Pin Voltage	Charge Current	Termination Voltage
Hot: above 55°C	$V_{TEMP} < V_{HOT}$	Charge Suspended	Charge Suspended
Warm: 45°C to 55°C	$V_{HOTR} < V_{TEMP} < V_{WARM}$	50% * I _{CC}	97.91% * V _{TERM}
Normal: 10°C to 45°C	$V_{WARMR} < V_{TEMP} < V_{COOLR}$	Normal Value	Normal Value
Cool: 0°C to 10°C	$V_{COOL} < V_{TEMP} < V_{COLDR}$	33% * I _{CC}	Normal Value
Cold: below 0°C	$V_{TEMP} > V_{COLD}$	Charge Suspended	Charge Suspended

Selection of N-Channel MOSFET

The CN3324's gate driver is capable of sourcing 0.65A and sinking 0.65A of current. MOSFET selection is based on the maximum battery voltage, inductor current and operating switching frequency. Choose an N-channel MOSFET that has a higher breakdown voltage than the maximum battery voltage, low R_{ds (ON)}, and low total gate charge (Q_g) for better efficiency. MOSFET threshold voltage must be adequate if operated at the low end (4.5V) of the input-voltage operating range.

Selection of Free-Wheeling Diode

The forward voltage of the freewheeling diode (D1 in Fig.1) should be as low as possible for better efficiency. A Schottky diode is a good choice as long as the breakdown voltage is high enough to withstand the maximum battery voltage. The current rating of the diode must be greater than the maximum charge current.

Input Capacitor

In most applications, a bypass capacitor at VIN is needed. An at least 10uF ceramic capacitor, placed in close proximity to VIN and GND pins, works well. In some applications depending on input current, the power supply characteristics and cable length, it may be necessary to increase the capacitor's value. The capacitor's breakdown voltage should be higher than the maximum input voltage.

Generally a capacitor between 10uF and 47uF works well, ceramic capacitor of X5R or X7R is highly recommended.

Output Capacitor

A filter capacitor (C_o in Figure 1) is needed between battery positive terminal and ground, the capacitor also supply energy to battery when the N-channel MOSFET is turned on.

The output capacitance is determined by the requirement of output ripple voltage. The ripple voltage is decided by the following equation:

$$\Delta V_{BAT} = \frac{I_{CH} \cdot t_{off}}{C_o} + \frac{0.04 \cdot r_{esr}}{R_{cs}}$$

Where, I_{CH} is the charge current flowing into battery

t_{off} is the off time of N-channel MOSFET

C_o is the output capacitance

r_{esr} is the equivalent series resistance of output capacitor

R_{cs} is the inductor current sense resistor shown in Figure 1

So ESR of output capacitor should be as small as possible, X5R or X7R ceramic capacitors are recommended.

Status Indication

The CN3324 has 2 open-drain status outputs: \overline{CHRG} and \overline{DONE} . \overline{CHRG} pin is pulled low when the charger is in charging mode, otherwise \overline{CHRG} becomes high impedance. \overline{DONE} pin is pulled low if the charger is in termination mode, otherwise \overline{DONE} becomes high impedance.

When the battery is not present, the charger charges the output capacitor to the over-voltage protection threshold quickly, CN3324 enters over-voltage protection mode, both \overline{CHRG} and \overline{DONE} becomes high impedance, then battery voltage decays slowly to over-voltage release threshold because of discharge by the feedback resistors, CN3324 enters charge mode, and the output capacitor is charged to over-voltage protection threshold again, and

CONSONANCE

so forth. Then a ripple waveform is formed at charger's output, namely battery positive terminal, in the meantime, $\overline{\text{CHRG}}$ and $\overline{\text{DONE}}$ pin outputs pulse to indicate the battery's absence.

The open drain status output that is not used should be tied to ground.

The table 1 lists the two indicators' status and its corresponding charging status. It is supposed that red LED is connected to $\overline{\text{CHRG}}$ pin and green LED is connected to $\overline{\text{DONE}}$ pin.

$\overline{\text{CHRG}}$ pin	$\overline{\text{DONE}}$ pin	State Description
Low (the red LED on)	High impedance (the green LED off)	Charging
High impedance (the red LED off)	Low (the green LED on)	Termination
Pulse (the red LED blinking)	Pulse (the green LED blinking)	Battery not present
High impedance (the red LED off)	High impedance (the green LED off)	There are 4 possible reasons: <ul style="list-style-type: none"> ● the voltage at VIN pin below the UVLO level or ● Over-voltage protection, or ● CN3324 over junction temperature, or ● Battery hot or cold

Table 1 Indication Status

Adjusts Charge Termination Voltage Upwards

The charge termination voltage can be adjusted upwards by connecting a resistor between BAT pin and positive terminal of battery, Rx in Figure 1 serves this purpose. When battery is connected to inductive loading such as motors or step-up DC-DC converters, the resistor Rx also serves the purpose of protecting CN3324.

Due to different characteristics and temperature coefficient between Rx and on-chip resistors, the adjusting amplitude by Rx should be limited within 0.6V.

The amplitude of adjusted charge termination voltage is calculated by the following equation:

$$V_x = 10.5 \times 10^{-6} \times R_x \quad (V_x \text{ is in Volt, } R_x \text{ is in ohm})$$

So the charge termination voltage is: $V_{\text{term}} = 16.8 + V_x$ (V)

About Short Battery or Battery's Voltage being lower than Input Supply Voltage

In some certain cases of short battery or battery voltage being lower than input supply voltage, the current may flow to battery from input supply via inductor and diode, which is out of CN3324's control. In this case, battery protection circuit or limiting driving capability of input supply is needed.

Design Procedures

The following design procedures can be followed to design the parameters of CN3324 application circuit:

- (1) To determine the charge current based on the battery capacity and the requirement of charge time.
- (2) To estimate the input current based on the input voltage range, battery voltage range and charge current. The input current is also the inductor current.
- (3) To decide the input bypassing capacitor based on the input supply's characteristics, input supply's cable length and input current.
- (4) To select diode and N-channel MOSFET based on input voltage, inductor current, charge current and the battery's highest voltage.
- (5) To calculate the current sense resistor R_{CS} based on the average inductor current.
- (6) To determine the inductor value according to the switching frequency. The switching frequency can be from 200KHz to 1MHz. Generally speaking, a switching frequency between 300KHz and 600KHz can achieve a good balance between efficiency and inductor's profile.
- (7) To select the output capacitor based on the switching frequency and charge current.

CONSONANCE

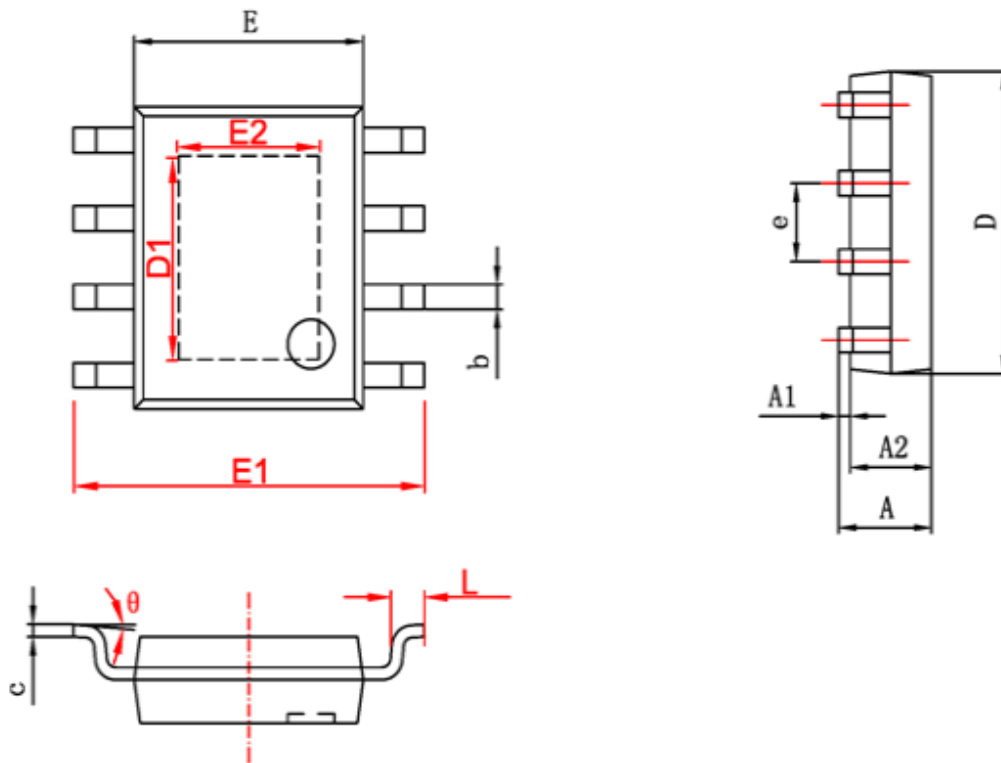
PCB Considerations

A good PCB design is very important to efficiency and performance. When laying out the printed circuit board, the following considerations should be taken to ensure proper operation of the IC.

- If possible, use multi-layer PCB for better performance.
- The high-current ground connections of output capacitor, source of N-channel MOSFET and battery negative terminal need to feed into same copper that connects to the input capacitor ground before tying back into system ground. This copper should be wide enough, and back to system ground separately.
- The analog ground connections of CN3324's exposed PAD, C2 and NTC's grounding terminals as shown in Figure 1 should be back to system ground separately.
- To minimize radiation, the diode, MOSFET, inductor, the input bypass capacitor and the output capacitor traces should be kept as short as possible. The connection between the diode and the MOSFET should also be kept as short as possible.
- Place the inductor current sense resistor R_{CS} right next to the input capacitor and inductor but oriented such that the IC's CSN and VIN traces going to R_{CS} are not long. The 2 traces need to be routed together as a single pair on the same layer at any given time with smallest trace spacing possible.

CONSONANCE

Package Information (eSOP8)



字符	Dimensions In Millimeters		Dimensions In Inches	
	Min	Max	Min	Max
A	1.350	1.750	0.053	0.069
A1	0.050	0.150	0.004	0.010
A2	1.350	1.550	0.053	0.061
b	0.330	0.510	0.013	0.020
c	0.170	0.250	0.006	0.010
D	4.700	5.100	0.185	0.200
D1	3.202	3.402	0.126	0.134
E	3.800	4.000	0.150	0.157
E1	5.800	6.200	0.228	0.244
E2	2.313	2.513	0.091	0.099
e	1.270 (BSC)		0.050 (BSC)	
L	0.400	1.270	0.016	0.050
θ	0°	8°	0°	8°

Important Notice

Consonance Electronics reserves the right to make corrections, modifications, enhancements, improvements and other changes to its products and specifications at any time without notice.

Consonance Electronics assumes no liability for applications assistance or technique support or the use of any circuitry described in the specification during customer product designing and developing. Customers are solely responsible for their products and applications using Consonance Electronics products. Customer should provide adequate design, test and operating safeguard based on its products' operating environment and conditions.