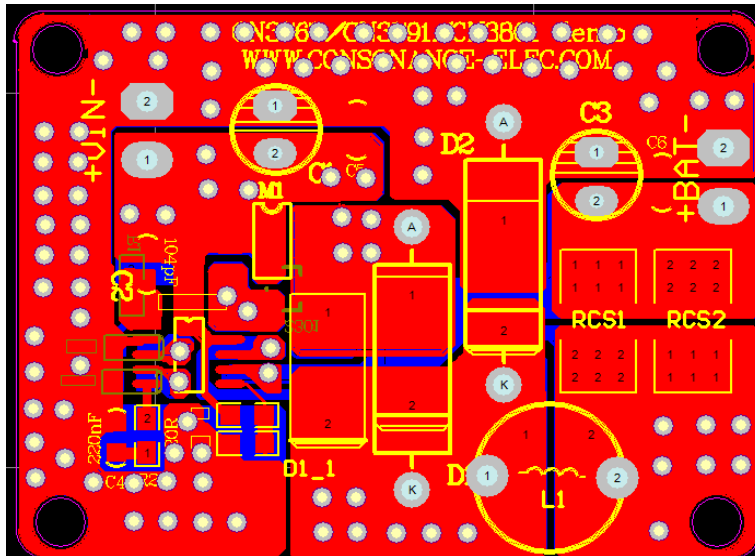


Quick Start of CN3767/CN3801/CN3791 Demo Board

1、 Overview

The demo board is for the purpose of fast evaluation of CN3767/CN3801/CN3791.

2、 PCB Layout of CN3767/CN3801/CN3791 Demo Board



3、 Component List and Descriptions

No.	Pin Name	Description
1	VIN+	Positive Terminal of Input Power Supply.
2	VIN-	Negative Terminal of Input Power Supply, or Ground.
3	BAT+	Positive Terminal of Battery.
4	BAT-	Negative Terminal of Battery, or Ground.
5	M1	The P-Channel MOSFET. The MOSFET available in SOP8 or SOT23 package can be used.
6	CN376X	The Charger IC CN3767/CN3801/CN3791.
7	D1,D2	Schottky Diode.
8	RED	Red LED for charging indication.
9	GREEN	Green LED for charge termination indication.
10	L1	Inductor.
11	RCS1,RCS2	Charge Current Sense Resistor. If the charge current is relatively large, 2 resistors in parallel can be used.
12	C1, C5	Input Bypassing Capacitor. Electrolytic and ceramic capacitors can be used.
13	C2	Ceramic Capacitor. The capacitance is 100nF.

CONSONANCE

(Continued From last page)

No.	Pin Name	Description
14	C3, C6	Output Capacitance. Electrolytic and ceramic capacitors can be used.
15	C4	The Closed Loop Compensation Capacitor. The capacitance is 220nF.
16	R1	LED Current Limiting Resistor.
17	R2	The Closed Loop Compensation Resistor..
18	R3	The MPP Voltage Setting Resistor.
19	R4	The MPP Voltage Setting Resistor.