

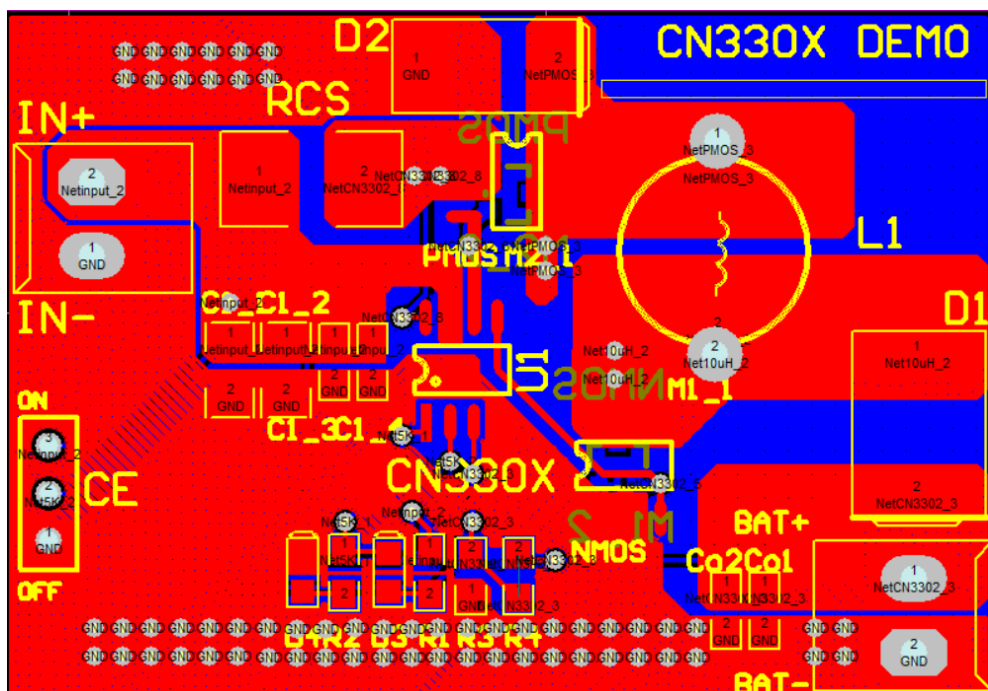
# Quick Start to CN3304 Demo Board

## 1. Introduction

Customers can use the CN3304 demo board for evaluation and debugging. A complete charging circuit can be built according to the components listed below.

In order to optimize the performance of CN3304, it should be studied with the “Design Example” mentioned on Page 11 of the CN3304 datasheet.

## 2. CN3304 Demo Board



## 3. Component Description

#	Name	Description
1	IN+	Terminal for Power Input (Positive)
2	IN-	Terminal for Power Input (Ground)
3	BAT+	Connection to Battery Positive Terminal
4	BAT-	Connection to Battery Negative Terminal (Ground)
5	U1	CN3304
6	CE	Jumper (If it is connected to ON, CN3304 will active. If it is connected to OFF, CN3304 will be disable.)
7	R1	Resistor for Charge Termination LED Indicator
8	R2	Resistor for Charge Status LED Indicator
9	R3	Do not use

#	Name	Description
10	R4	Resistor for Programming Battery Voltage (0Ω is recommended.)
11	RCS	Current Sense Resistor (Please refer to CN3304 datasheet.)
12	L1	Inductor (Please refer to CN3304 datasheet.)
13	D1	Schottky Diode (Please refer to CN3304 datasheet.)
14	D2	Schottky Diode (Please refer to CN3304 datasheet.)
15	D3	Charge Termination LED Indicator
16	D4	Charge Status LED Indicator
17	M1_1/M1_2	NMOS; One or both are connected. (Please refer to CN3304 datasheet.)
18	M2_1/M2_2	PMOS; One or both are connected. (Please refer to CN3304 datasheet.)
19	C1_1/C1_2/ C1_3/C1_4	Capacitors for Power Input (Please refer to CN3304 datasheet.)
20	Co1/Co2	Capacitors for Power Output (Please refer to CN3304 datasheet.)